

JVC

SCHEMATIC DIAGRAMS

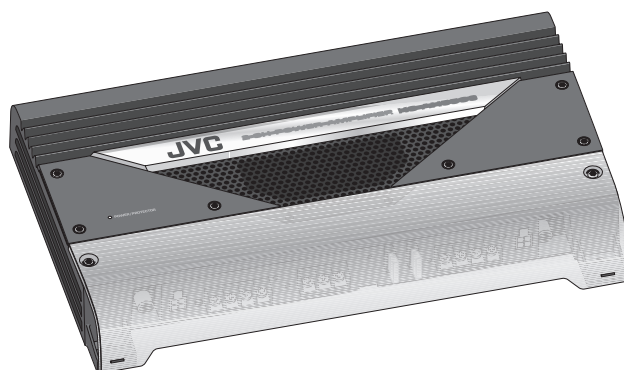
POWER AMPLIFIER

KS-AX5700

CD-ROM No.SML200509

Area suffix

J ----- Northern America
E ----- Southern Europe
U ----- Other Areas




Lead free solder used in the board (material : Sn-Ag-Cu, melting point : 219 Centigrade)

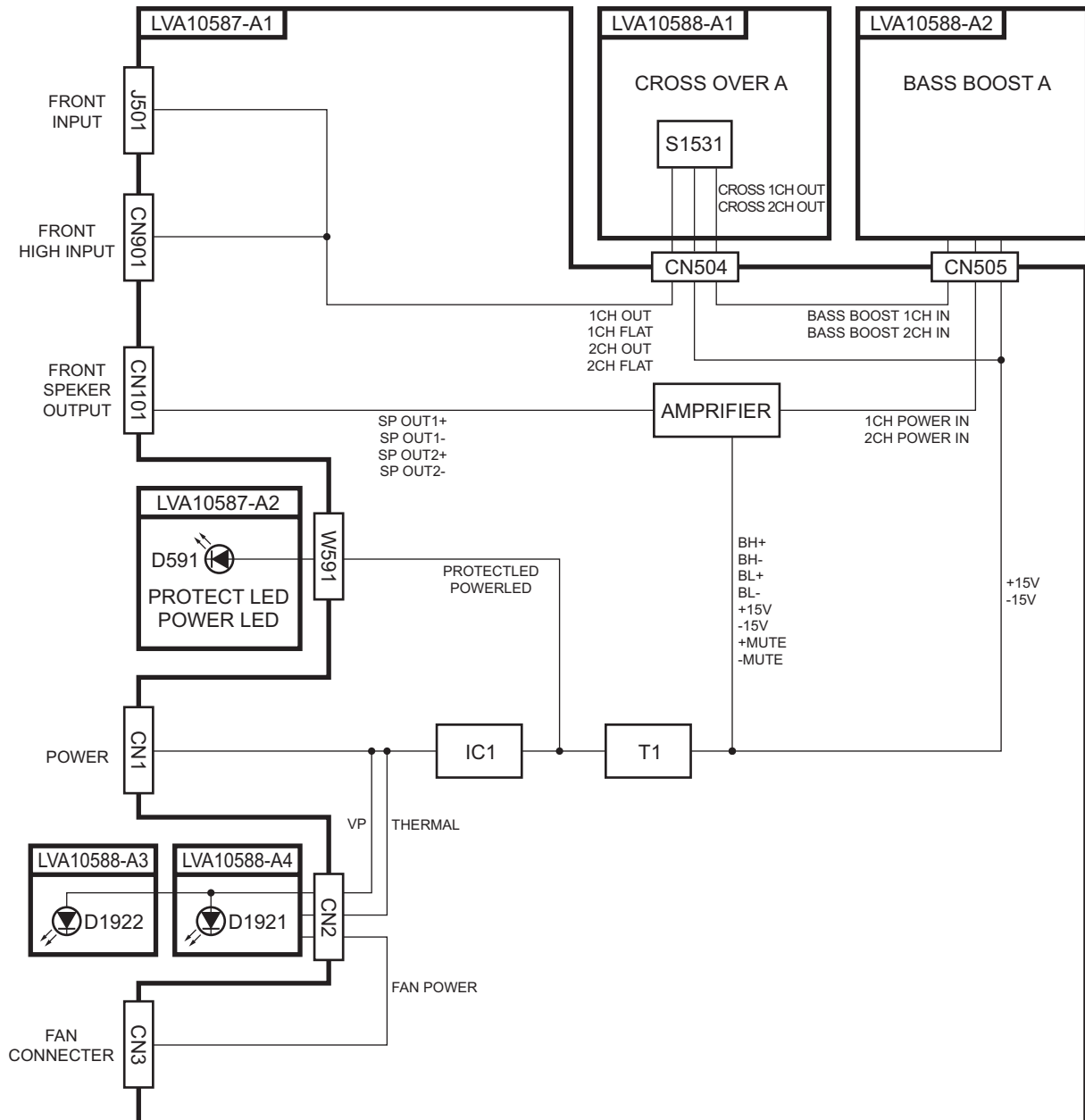
Contents

Block diagram	2-1
Standard schematic diagrams	2-2
Printed circuit boards	2-8

Safety precaution

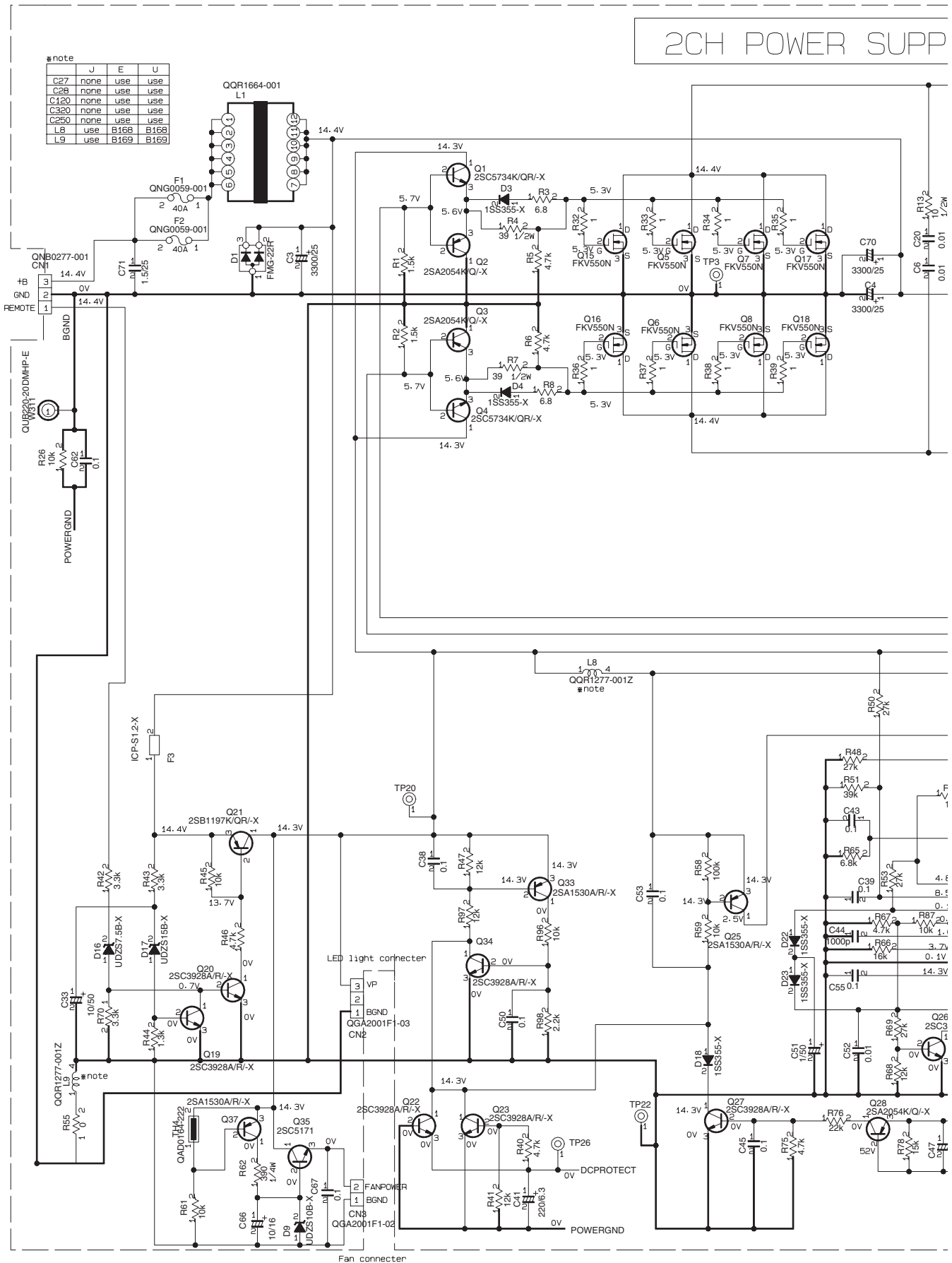
 **CAUTION** Burrs formed during molding may be left over on some parts of the chassis. Therefore, pay attention to such burrs in the case of performing repair of this system.

Block diagram



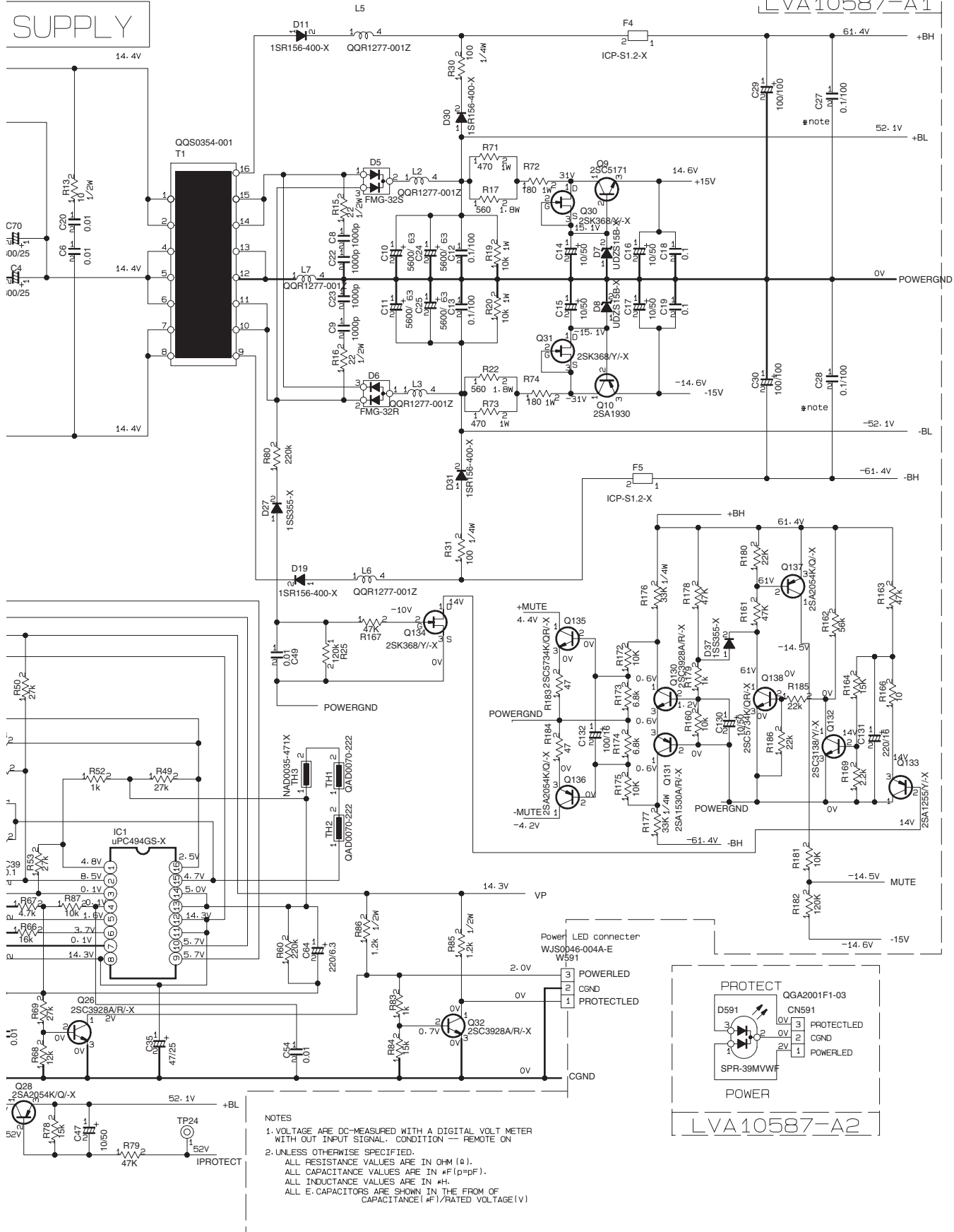
Standard schematic diagrams

■ 2ch Power supply section

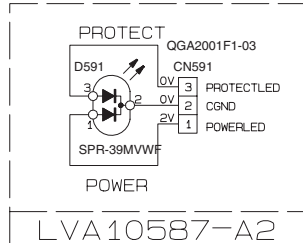


SUPPLY

LVA10587-A1

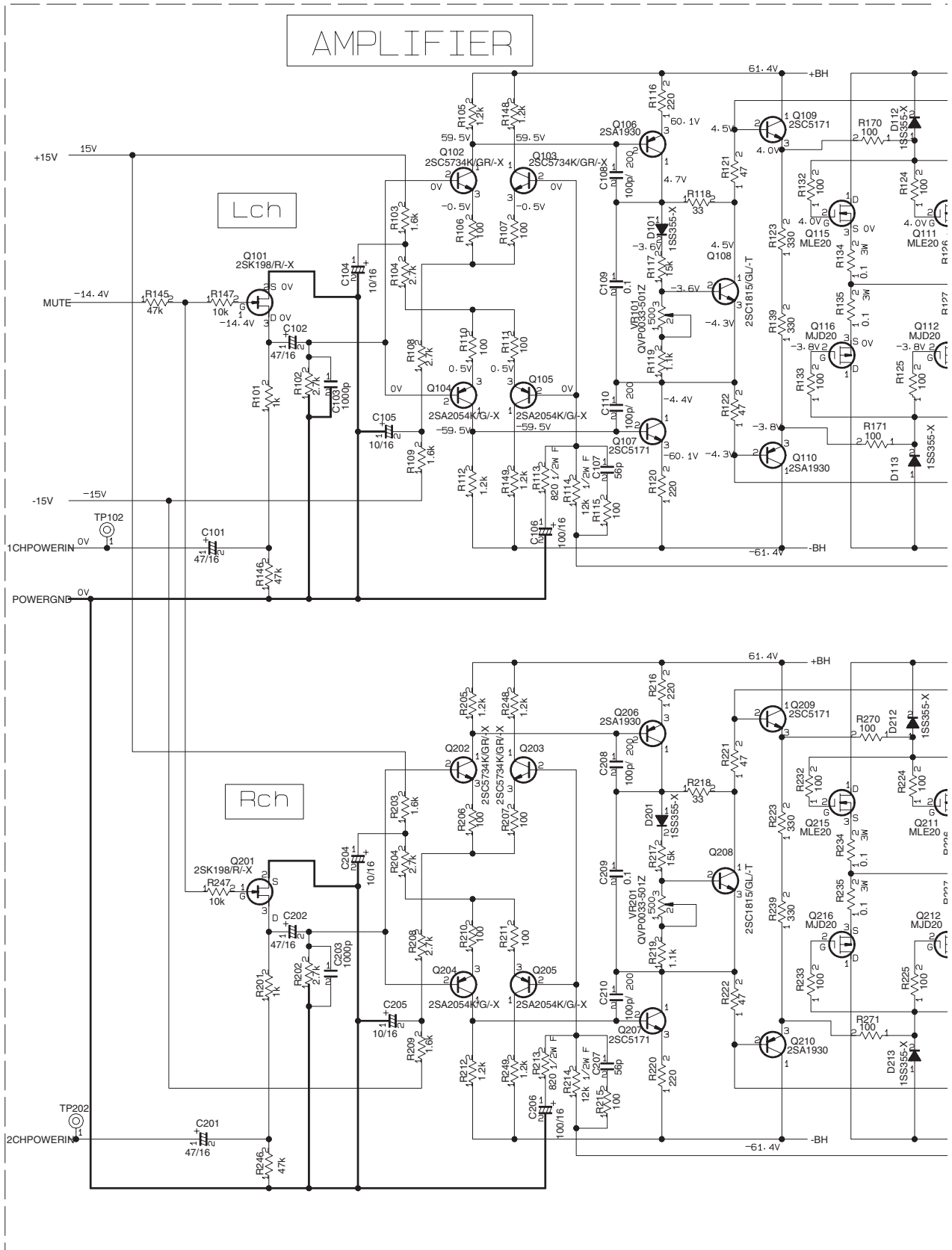


NOTES
 1. VOLTAGE ARE DC-MEASURED WITH A DIGITAL VOLT METER WITH OUT INPUT SIGNAL. CONDITION --- REMOTE ON
 2. UNLESS OTHERWISE SPECIFIED,
 ALL RESISTANCE VALUES ARE IN OHM (Ω).
 ALL CAPACITANCE VALUES ARE IN nF (p=pF).
 ALL INDUCTANCE VALUES ARE IN μH.
 ALL E-CAPACITORS ARE SHOWN IN THE FROM OF CAPACITANCE (μF)/RATED VOLTAGE (V)

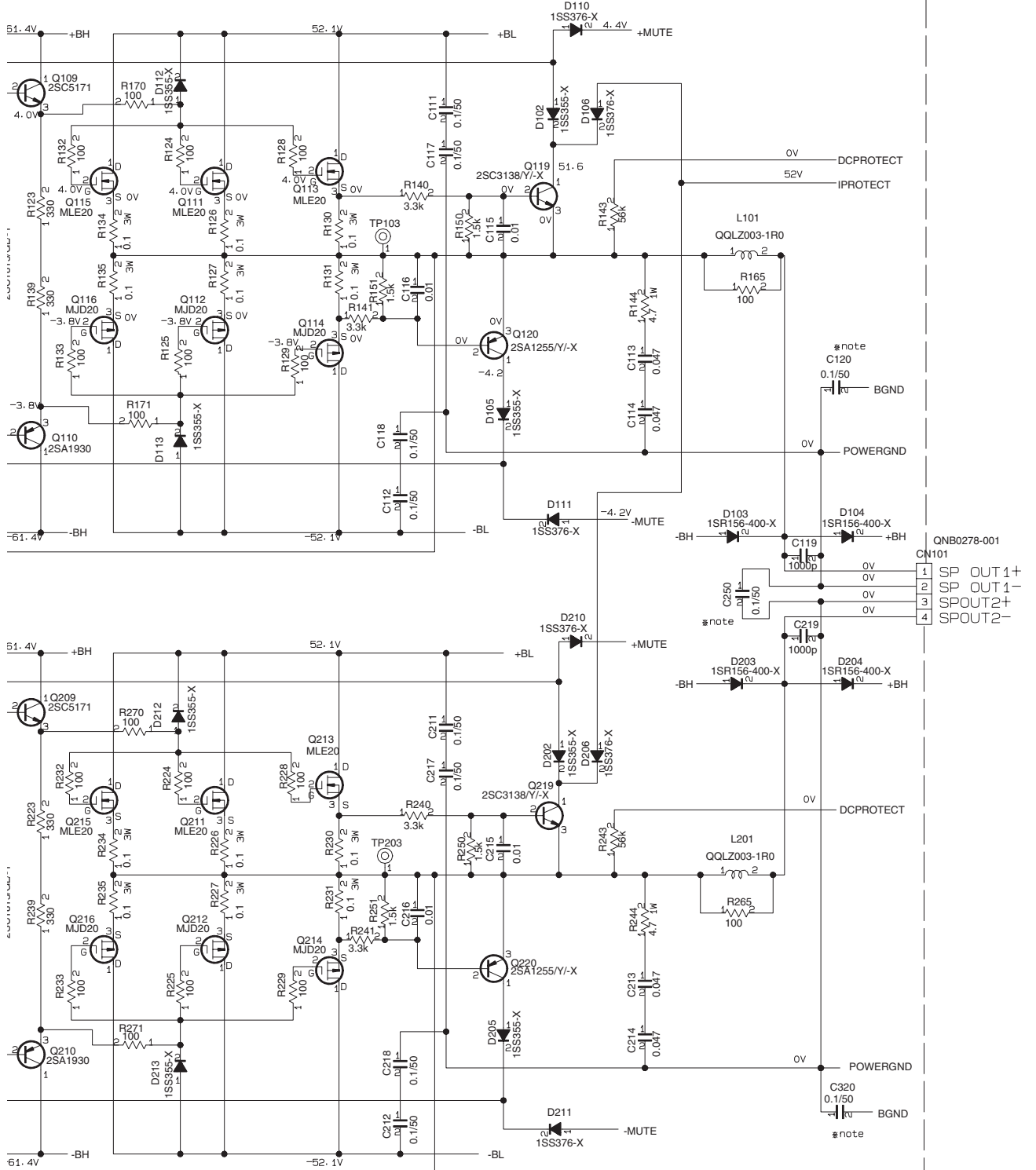


LVA10587-A2

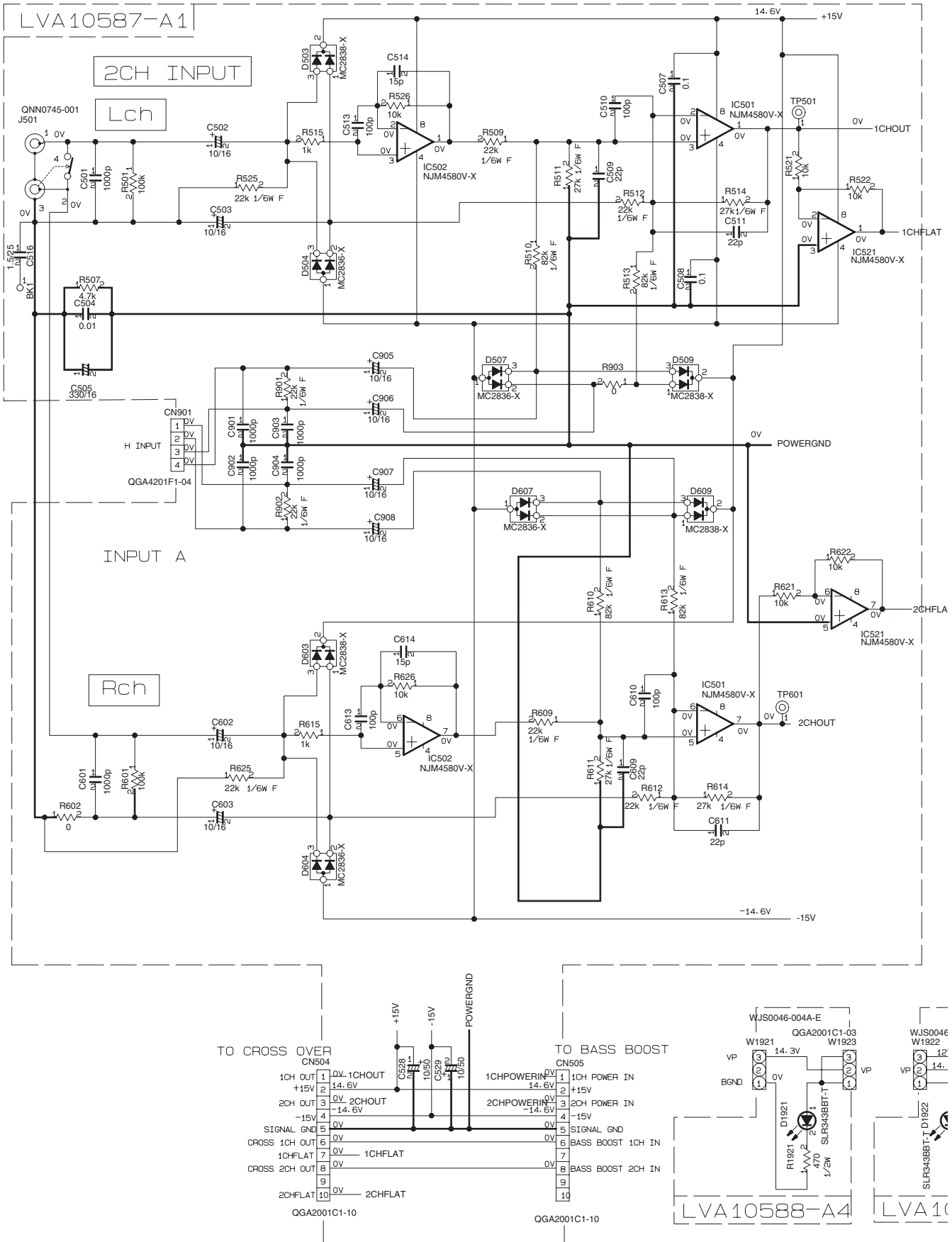
Amplifier section

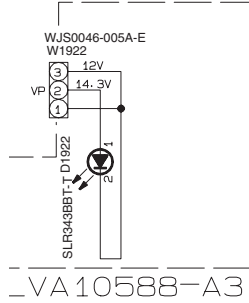
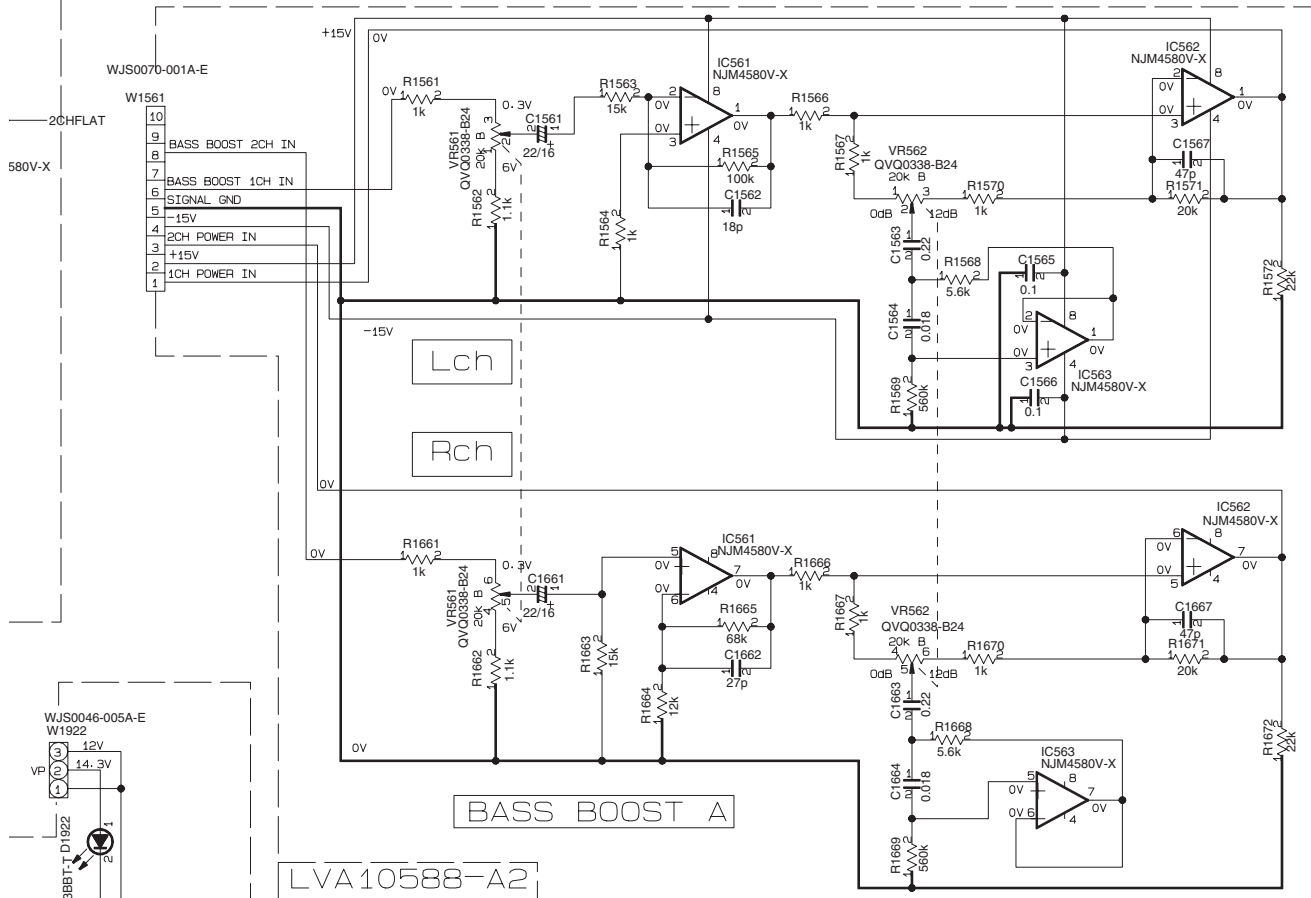
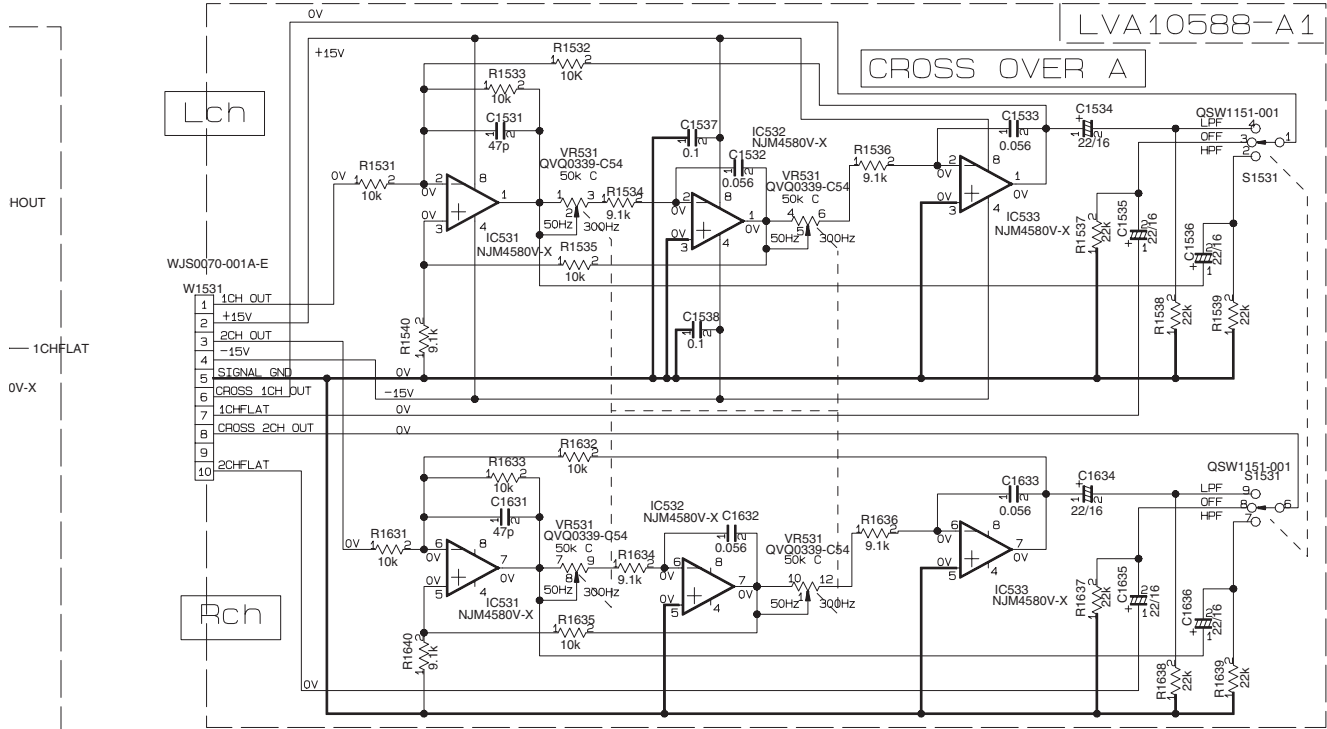


LVA10587-A1



■ 2ch Input ,Cross over & Bass boost section



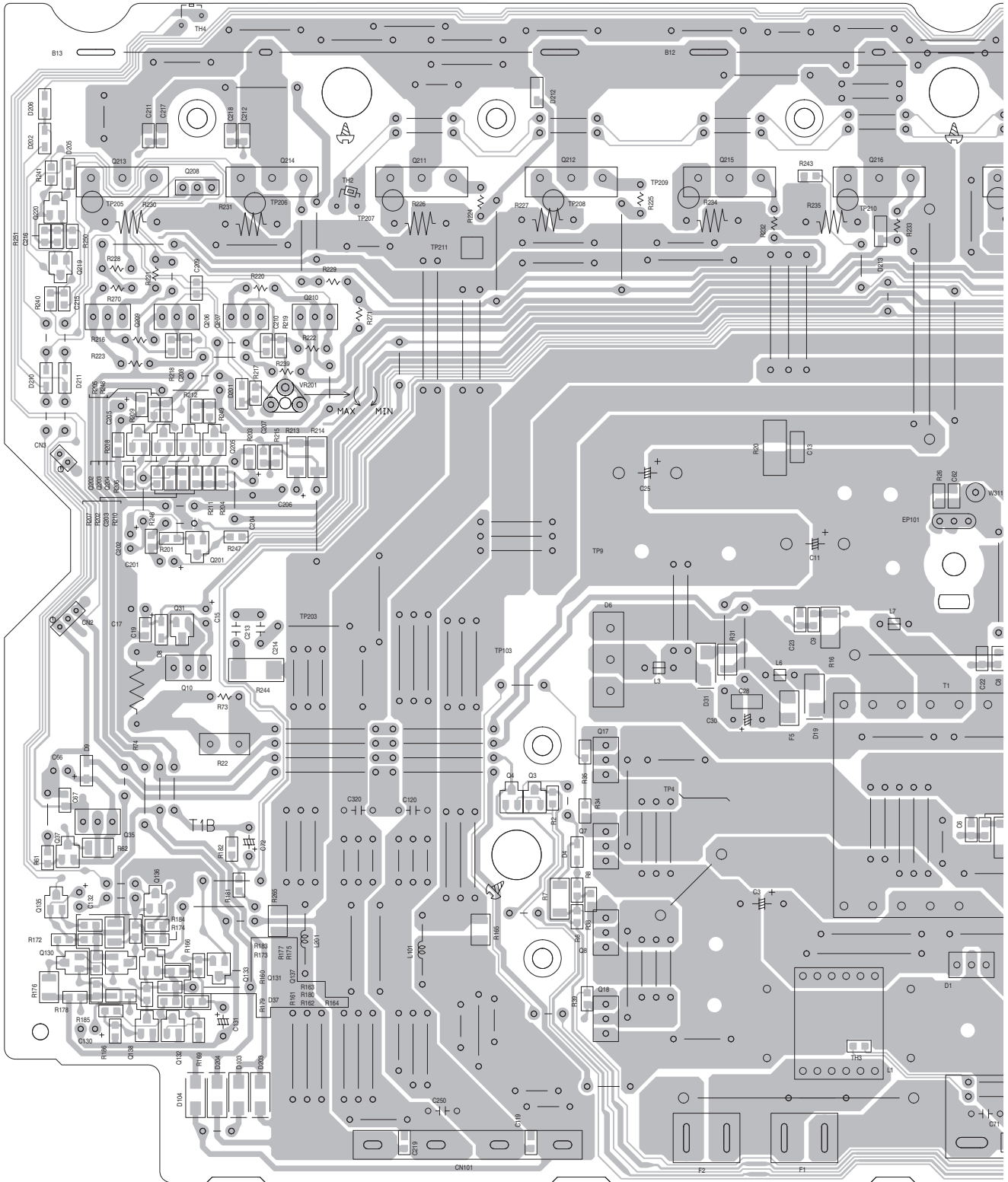


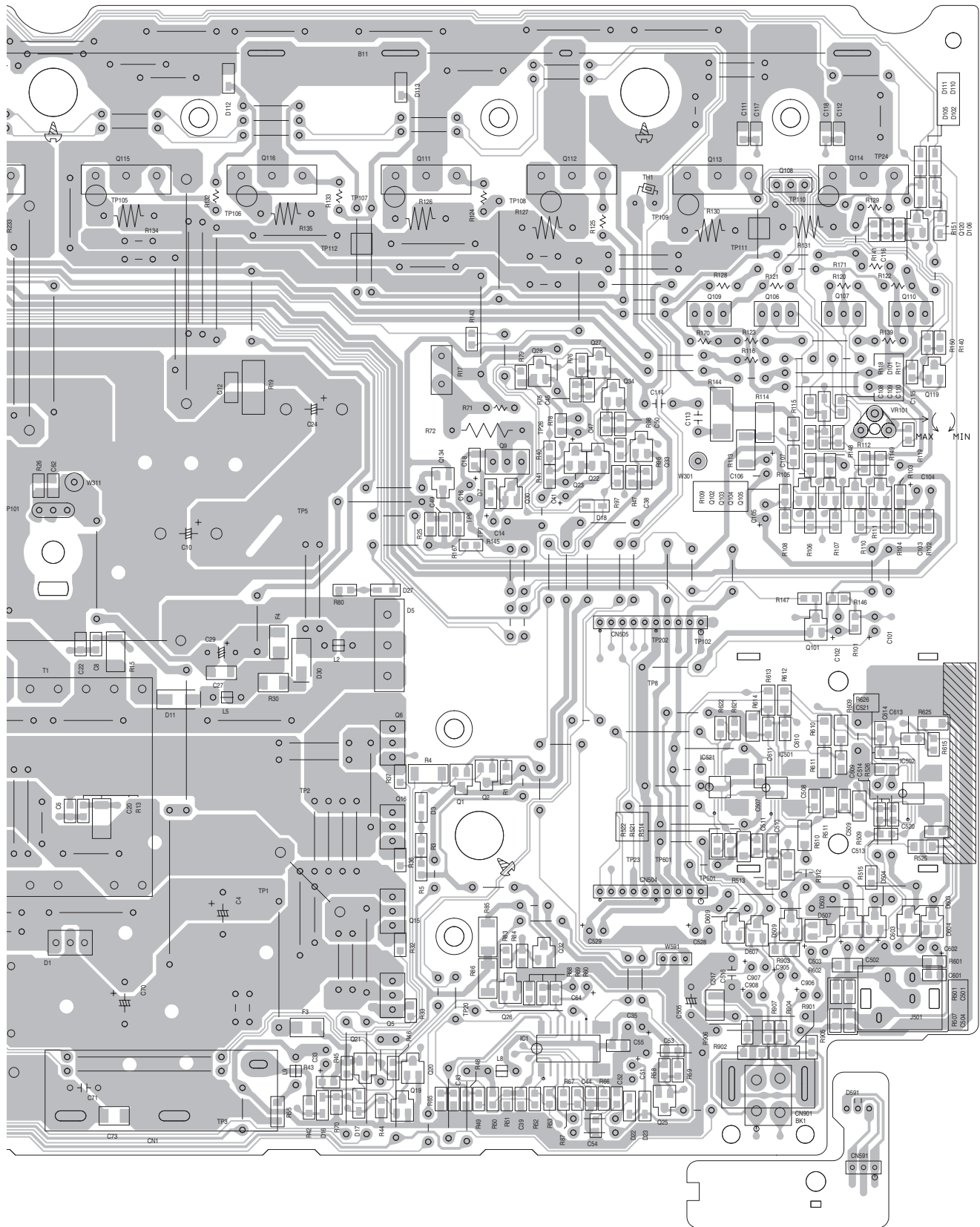
LVA10588-A2

VA10588-A3

Printed circuit boards

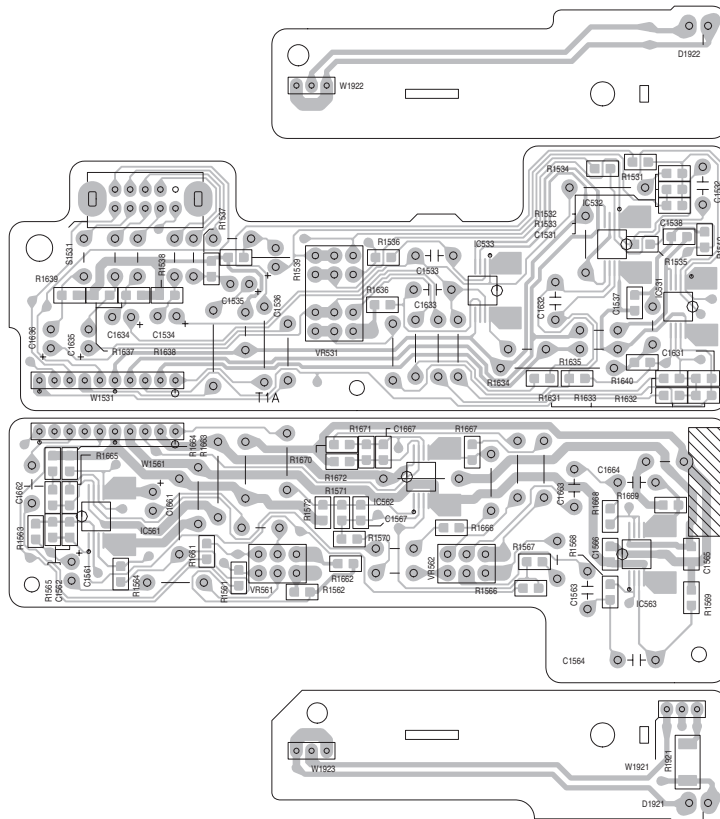
■ Main board Lead free solder used in the board (material : Sn-Ag-Cu, melting point : 219 Centigrade)





■ Cross over & Bass boost board

Lead free solder used in the board (material : Sn-Ag-Cu, melting point : 219 Centigrade)



< MEMO >

JVC

Victor Company of Japan, Limited

AV & MULTIMEDIA COMPANY CAR ELECTRONICS CATEGORY 10-1,1chome,Ohwatari-machi,Maebashi-city,371-8543,Japan

(No.MA195SCH)



Printed in Japan
VPT